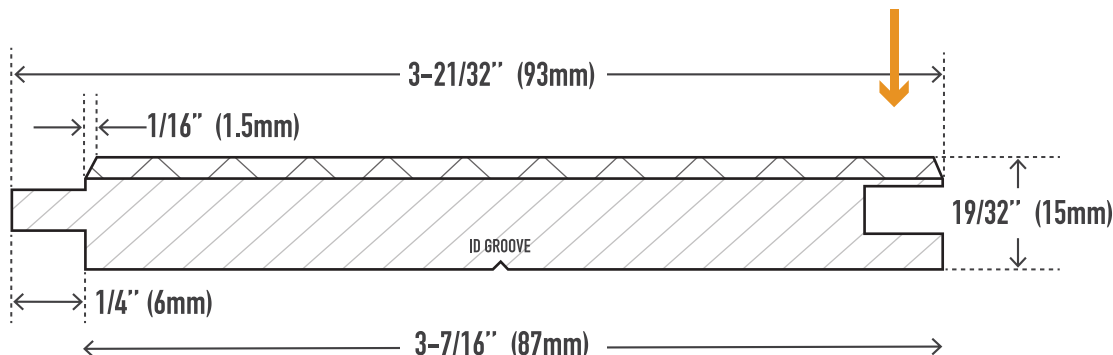


MEET YOUR NEW
SUSTAINABLE
FUTURE

THE
VALE

Visscher
Lumber

1x4
THE MICRO V
VG WESTERN RED CEDAR VENEER



PRODUCT NAME:
1X4 CLEAR VG/MG SF S1SV2E

SPECIES:
100% WESTERN RED CEDAR

NOMINAL THICKNESS:
1"

NOMINAL WIDTH:
4"

LENGTH:
8'-16' ODD & EVEN

TRIM BACKS:
3'-5', 6' & 7' ODD & EVEN

GREEN/KILN DRIED:
KILN DRIED

FACE:
SOLID VENEER V/G OR M/G

BACKING:
EDGE GLUED / FINGER JOINTED

GRADE:
A OR BETTER (10-15% "B")

FINISHED COVERAGE:
3-7/16" (87mm)

PACKAGE SIZE:
VARIOUS

HEIGHT:
7 BUNDLES

WIDTH:
8 BUNDLES

PIECES PER BUNDLE:
6

END CAPS:
YES

PAPER WRAP / BOX:
PAPER WRAP / CARDBOARD SIDES & TOP

FACE TO BE PROTECTED:
SMOOTH FACE

100% WESTERN RED CEDAR

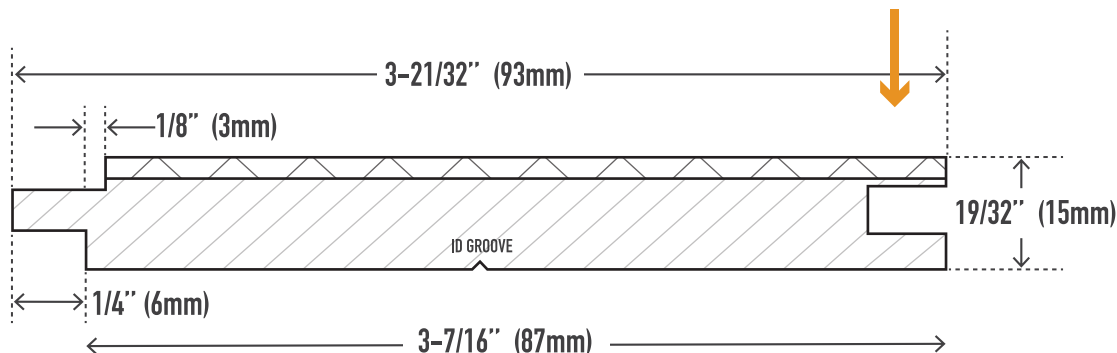
CONTAINS "THUJAPLICIN" A NATURAL FUNGICIDE AND BACTERIADE. NATIVE TO THE PACIFIC COAST OF NORTH AMERICA, THIS GIANT "ARBOR VITAE" OR "TREE OF LIFE" HAS BEEN REVERED BY COASTAL INDIGENOUS PEOPLE AS THE "LONG LIFE GIVER". WHEN YOU USE THIS PRODUCT YOU EXTEND THE LIFE OF THE FOREST FLOOR MORE THAN TEN TIMES.

MEET YOUR NEW
SUSTAINABLE
FUTURE

THE
VALE

Visscher
Lumber

1x4
THE FINE LINE
VG WESTERN RED CEDAR VENEER



PRODUCT NAME:

1X4 CLEAR VG/MG SF SQ. EDGE WITH 3mm GAP

GREEN/KILN DRIED:

KILN DRIED

HEIGHT:

7 BUNDLES

SPECIES:

100% WESTERN RED CEDAR

FACE:

SOLID VENEER V/G OR M/G

WIDTH:

8 BUNDLES

NOMINAL THICKNESS:

1"

BACKING:

EDGE GLUED / FINGER JOINTED

PIECES PER BUNDLE:

6

NOMINAL WIDTH:

4"

GRADE:

A OR BETTER (10-15% "B")

END CAPS:

YES

LENGTH:

8'-16' ODD & EVEN

FINISHED COVERAGE:

3-7/16" (87mm)

PAPER WRAP / BOX:

PAPER WRAP / CARDBOARD SIDES & TOP

TRIM BACKS:

3'-5', 6' & 7' ODD & EVEN

PACKAGE SIZE:

VARIOUS

FACE TO BE PROTECTED:

SMOOTH FACE

100% WESTERN RED CEDAR

CONTAINS "THUJAPLICIN" A NATURAL FUNGICIDE AND BACTERIAE. NATIVE TO THE PACIFIC COAST OF NORTH AMERICA, THIS GIANT "ARBOR VITAE" OR "TREE OF LIFE" HAS BEEN REVERED BY COASTAL INDIGENOUS PEOPLE AS THE "LONG LIFE GIVER". WHEN YOU USE THIS PRODUCT YOU EXTEND THE LIFE OF THE FOREST FLOOR MORE THAN TEN TIMES.