

Store Name: .....

Contact Name: ..... Phone #: .....

Email: .....

Project Name: ..... Provide layout sketch on reverse side of this sheet

## QUOTE REQUEST

sales@russin.com

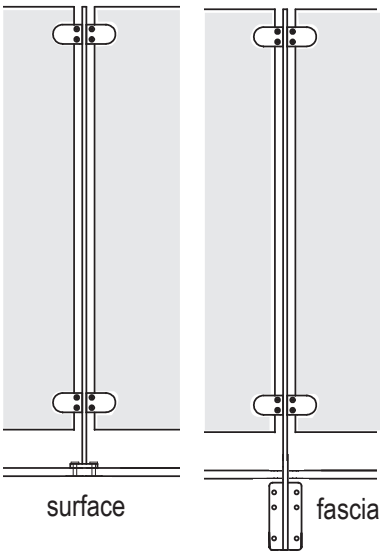
Toll Free: 1-800-724-4000 | Fax: 800-457-4010

**GLASS** check one  Clear  Low Iron \*  Frosted \*  Tinted \*

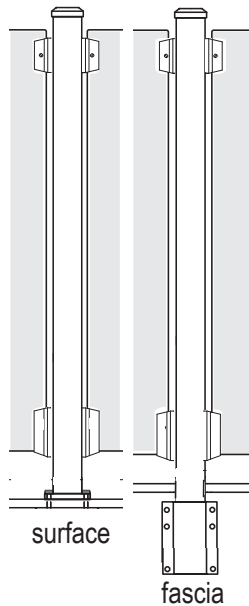
**RAIL HEIGHT** check one  42" (standard)  36" \*  other \* \_\_\_\_\_ (provide desired rail height)

### POSTS check one

#### INVISIPOST

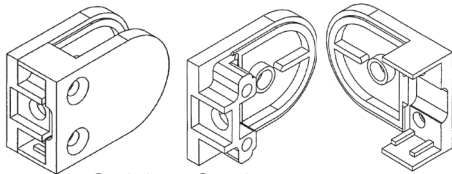


#### VISTI POST

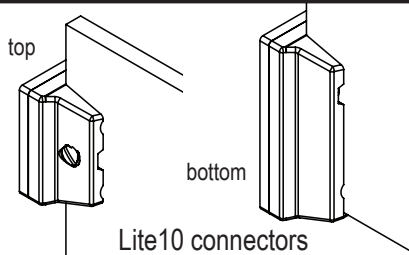


- Surface-mount VISTI Post, 2 1/4", Black Powder-Coated Aluminum
- Surface-mount VISTI Post, 2 1/4", White Powder-Coated Aluminum
- Fascia-mount VISTI Post, 2 1/4", Black Powder-Coated Aluminum
- Fascia-mount VISTI Post, 2 1/4", White Powder-Coated Aluminum
- Surface-mount ALX Contemporary 2 1/2", Brushed Aluminum, Textured Black, Textured White, Weathered Brown, Bronze
- Surface-mount INVISIPOST, Stainless Steel
- Surface-mount INVISIPOST, Black powder-coated aluminum
- Surface-mount INVISIPOST, White powder-coated aluminum
- Fascia-mount INVISIPOST, Stainless Steel
- Fascia-mount INVISIPOST, Black powder-coated aluminum
- Fascia-mount INVISIPOST, White powder-coated aluminum

### CONNECTORS check one



Stainless Steel connectors

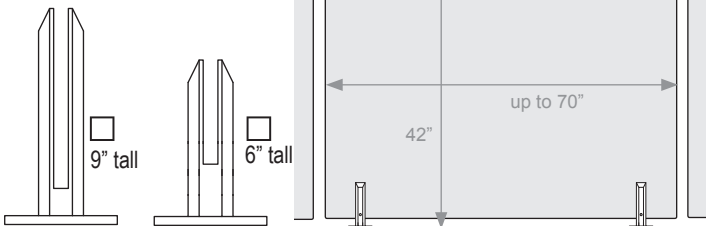


Lite10 connectors

**NOTE:** Stainless Steel is the only option for InvisiPosts

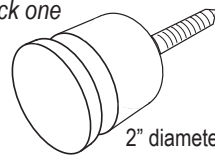
- Lite10 (nylon), Black
- Lite10 (nylon), White
- Stainless Steel, standard brushed finish
- Stainless Steel, Textured Black finish

### SPIGOTS check one

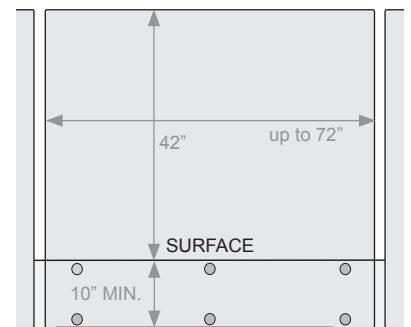


- Stainless Steel, standard brushed finish
- Stainless Steel, Textured Black finish

### STAND OFFS check one



- Stainless Steel, standard brushed finish
- Stainless Steel, Textured Black finish



**STAIR RAIL** check one  Custom glass (template req'd)\*  Aluminum balusters (pickets)  None

### GATE check one

Glass  Aluminum  None  
\_\_\_\_\_ (width)

### STAIR SECONDARY HAND RAIL check one

SS 1 5/8" pipe  Black / White Aluminum  None

### HORIZONTAL TOP RAIL check one

SS 1 5/8" pipe  deck board  None

\* EXPECT LONGER WAIT TIMES



Toll Free: 1-800-724-0010 | Fax: 845-457-4010

Project Name: .....

Please provide a sketch of your deck layout. Indicate measurements (accurate within 1/8") along the outside edge of your deck framing (rim joists.) Scan & email both sides of this sheet to [sales@russin.com](mailto:sales@russin.com)

A large grid area for sketching the deck layout. The grid consists of small squares, approximately 1/8 inch wide and 1/8 inch high, covering the majority of the page below the text instructions.